

Product: Low noise amplifier



Part Number: LDC-37/50-27

Specification					
No.	Parameter	Minimum	Typical	Maximum	Units
1	Frequency range	37	-	50	GHz
2	Gain	25	27		dB
4	Gain Flatness		±2.0	±2.8	db
5	Noise Figure	-	6.0		dB
6	P1dB Output Power	16	20		dBm
7	Psat Output Power	18	21		dBm
8	VSWR		2.5	2.0	-
9	Supply Voltage			+12	V
10	DC Current		600		mA
11	Input Max Power			-5	dBm
12	Connector	2.4-F			
13	Spurious		-60		dBc
14	Impedance		50		Ω
15	Operational Temperature	-45°C ~ +85°C			
16	Weight	50G			
15	Preferred finish	yellow			

Environmental Specifications	
Operational Temperature	-40°C~+85°C
Storage Temperature	-50°C~+95°C
Vibration	25gRMS (15 degrees 2KHz) endurance, 1 hour per axis
Humidity	100% RH at 35°C, 95%RH at 40°C
Shock	20G for 11msec half sine wave, 3 axis both directions
Mechanical Specifications	
Housing	Aluminum
Connector	stainless steel
Female Contact:	gold plated beryllium brass
Rohs	compliant
Weight	0.15kg

成都利德尔科技有限公司 ChengDu Leader Microwave Technology Co.,Ltd

电话: 028-65199117 传真: 028-65199116

<http://www.leadermicrowave.com> [sales@leader-mw.com](mailto:sales@leader-mw.com)

TEL: +86-28-65199117 FAX: +86-28-65199116

Add: 中国 成都市成华区华翰路 89 号 610000

No.89,Huahan Road, chenghua Zone Chengdu, Sichuan China Zip Code:610000

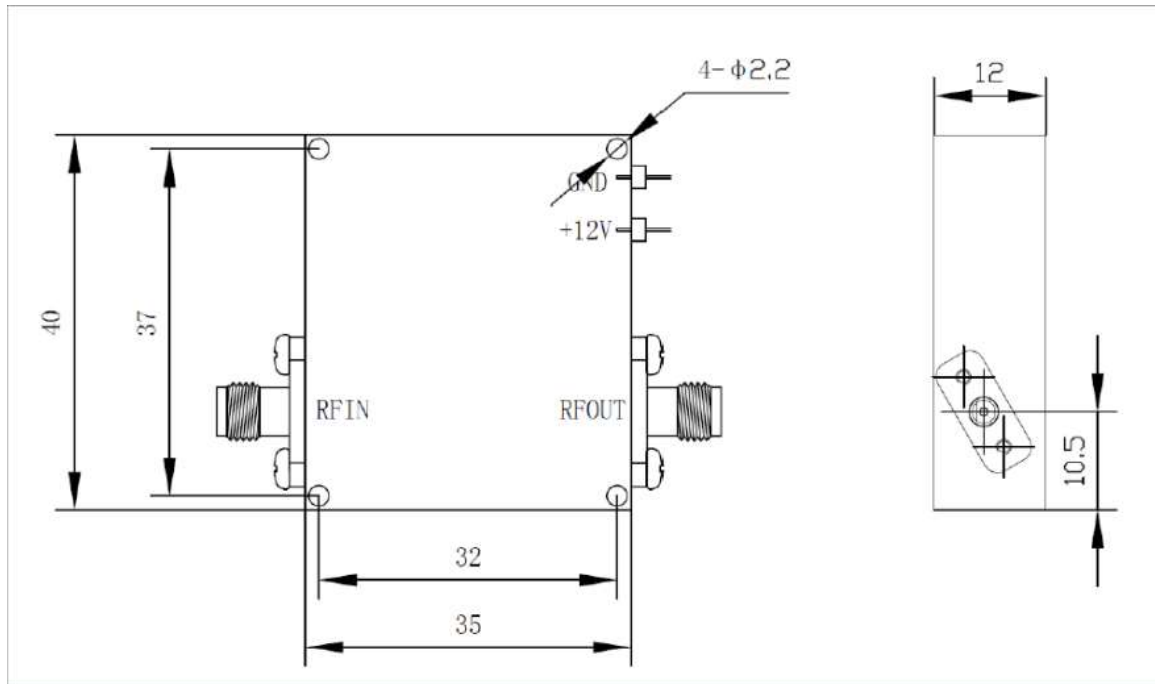
## Outline Drawing:

All Dimensions in mm

Outline Tolerances  $\pm 0.5(0.02)$

Mounting Holes Tolerances  $\pm 0.2(0.008)$

All Connectors: 2.4-Female



TEST DATA

成都利德尔科技有限公司 ChengDu Leader Microwave Technology Co.,Ltd

电话: 028-65199117 传真: 028-65199116

<http://www.leadermicrowave.com> [sales@leader-mw.com](mailto:sales@leader-mw.com)

TEL: +86-28-65199117 FAX: +86-28-65199116

Add: 中国 成都市成华区华翰路 89 号 610000

No.89,Huahan Road, chenghua Zone Chengdu, Sichuan China Zip Code:610000